

# CARPEX

THE POWER of PERFECTION

## NATURE SERIES

### AUTOCUT TOWEL DISPENSER



White



Black

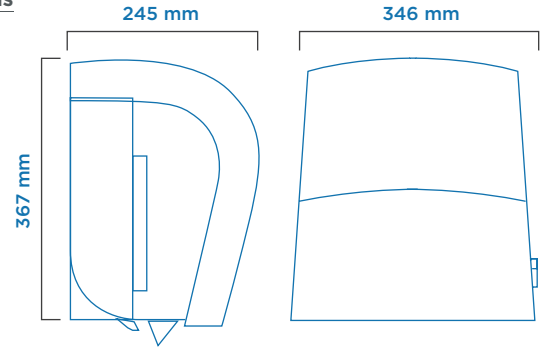


Inox

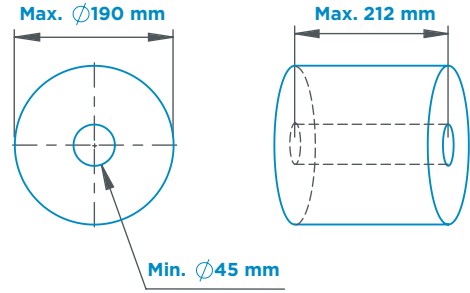


Piano

#### Dimensions



#### Roll Paper Dimensions



Type	Manual
Item No	910203
Colour	White, Black, Inox coating, Piano coating
Plastic Material	ABS
Mounting Type	Wall mount
Packaging Dimensions (mm)	356 (l) x 278 (w) x 433 (h)
Gross Weight (kg)	3,65
Net Weight (kg)	2,81
Paper service length (cm)	24,5
Case Quantity (pcs.)	1

**ALWAYS CLEAN.**  
**ALWAYS FRESH.**

Netpak Elektronik Plastik Kozmetik Sanayi ve Ticaret Limited Şirketi  
Atatürk Organize Sanayi Bölgesi Mahallesi 10044 Sokak No: 12 35620 Çiğli / İzmir  
t. +90 232 461 41 17 / +90 216 593 14 20 / f. +90 232 461 52 73  
[carpex.com.tr](http://carpex.com.tr)